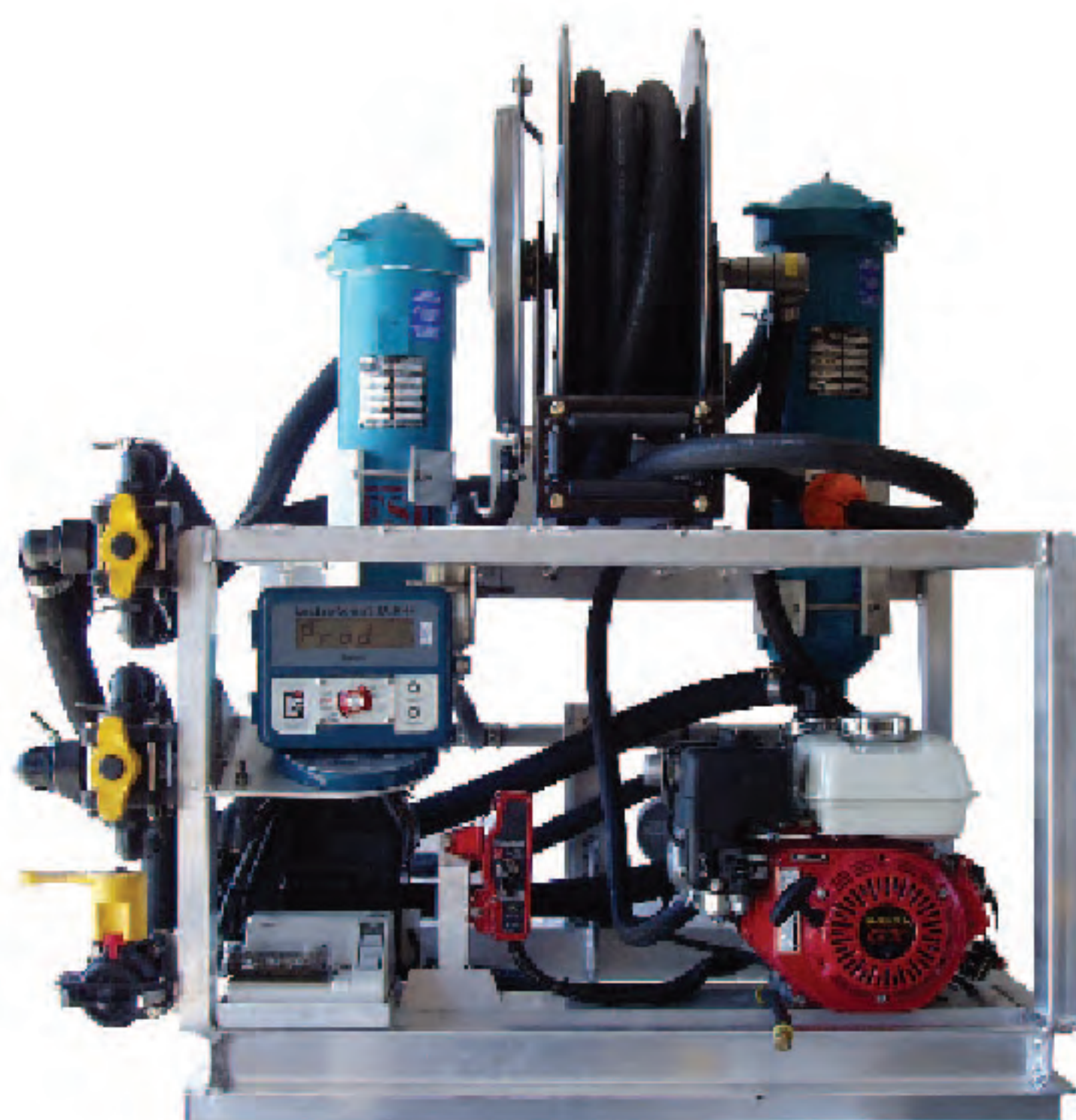




DEF EQUIPMENT CATALOG





Hand Pump



- CCI Part # DEF32120
- Piston hand pump with complete kit
- GPM 4
 - Dip pipe
 - Spout 3/4"
 - Inlet Pumps NPS 1"
 - Del Hose 9.8 ft
 - 2.5" x 5 Buttress adapter



- CCI Part # DEF2030B
- Suzzara Blue AC Pump 120V
- GPM 7 - 9
 - Cables
 - Volt/Hz 120/60
 - Connections (in/out) 3/4"
 - RPM 1700



- CCI Part # DEFSTX1220A
DEFSTX3
- Blackmer
- Sliding Vane Pump
 - Stainless Steel
 - 2" and 3"
 - Up to 125 psi



- CCI Part # B200-PB
- Banjo Poly Pump
- Centrifugal 1 1/2", 2"
 - Self-Priming
 - Pedestal and non-pedestal



- CCI Part # B200PB-SS
B300PB-SS
- Banjo SS Pump
- Centrifugal 2" , 3"
 - Self-Priming
 - Stainless Steel



- CCI Part # RSP15P-E-10P-GE
- Finish Thompson
- Magnetic Drive
 - Self Priming
 - Up to 90 psi
 - Connections (in/out) 1 1/2"



- CCI Part # RSP22-E-GE
- Finish Thompson
- Magnetic Drive
 - Self Priming
 - Up to 90 psi
 - Connections (in/out) 2"



- CCI Part # DEF1100-12V
- Hypro SF-1100
- GPM 10.7
 - Cables - 20 ft
 - Volt 12V
 - Connections (in/out) 2"
 - Pressure 15 psi



- CCI Part # DEF1100-110V
- Hypro SF-1100
- GPM 10.7
 - Cables - 20 ft
 - Volt 110V
 - Connections (in/out) 2"
 - Pressure 15 psi



Tote - IBC Dispensers



- Suzzara Blue Pro**
- GPM 7 - 8
 - Volt/Hz 120/60
 - Delivery Hose 20ft
 - RPM 1700
 - Watt 370
 - Meter
 - Automatic Nozzle

CCI Part #
DEF201A1B

- Suzzara Blue Basic**
- GPM 7 - 8
 - Volt/Hz 120/60
 - Delivery Hose 20ft
 - RPM 1700
 - Watt 370
 - Manual Nozzle

CCI Part #
DEF201A2B



Hose Reel

CCI Part #
DEF7507

- DEF 26ft EPDM hose
- 3/4" Hose
 - 3/4" Inlet and outlet
 - Max pressure bar - 10
 - Pressure loss 1 psi @ 9 gpm

Suzzara Nozzles



- Suzzara Blue Nozzles**
- GPM 9
 - Mag Adapter
 - Meter

CCI Part #
DEF618010



Filters

CCI Part #
RP416014B

- 100% polypropylene
- 100 PSI rating at 110° F water service for improved versatility
- Flow rate up to 70 GPM



- Suzzara Blue Nozzles**
- GPM 9
 - Mag Adapter

CCI Part #
DEF618M20



CCI Part #

- RPXLB100B2N6EP
- Glass filled poly
 - Increased surface area for flow rate of up to 140 GPM
 - Uses Standard (Vorex) or absolute rated (Vorex HP) cartridges



- Automatic Nozzles**
- GPM 10
 - 3/4" BSP inlet

CCI Part #
DEF6193B



Dry-Shut Male



- 1" Dry-Shut
- Male valved adapter x 1" BSP female.

CCI Part #
DEF10BMVF

Lids and Vents



- 16" Tank Lid Assy
- W/ Dual Vents

CCI Part #
DEFLID16

Dry-Shut Female



- 1" Dry-Shut
- Female valved coupler x 1" BSP female.

CCI Part #
DEF10BFVF

CCI Part #
A522A



- 2" NPS Male Vent, anti-vacuum and pressure, 4+ psi

Nozzle Only



- CPP DEF Trigger Nozzle
- 1" Female w/swivel

CCI Part #
DEF19T029

Nozzle/Hose Assy



- CCI Part # DEF19N075C
- 3/4" PVC 10ft hose kit – 19mm trigger nozzle X 1" Camlock coupler female

Nozzle/Hose Assy

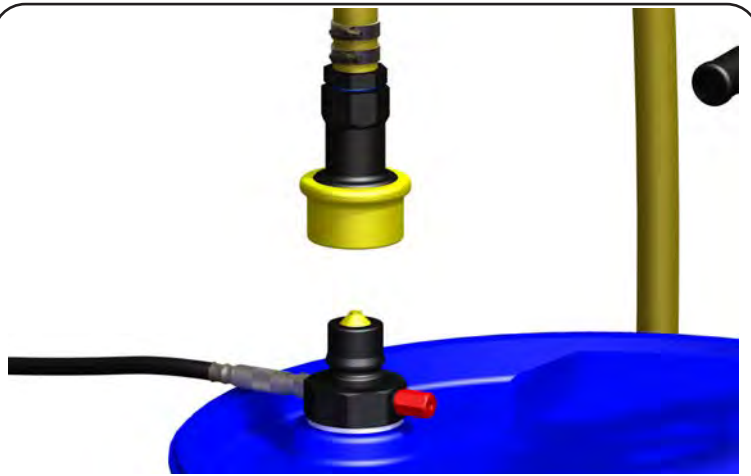


- CCI Part # DEF19N010DS
- 3/4" PVC 10ft hose kit – 19mm trigger nozzle X 1" Dry-Shut coupler female

Hose Assy Kit



- CCI Part # DEF10M10S
- 3/4" PVC 10ft hose kit – 1" male and 1" female thread each end.



Self-venting Drum pump adapter with integral Dry-Shut valved male adapter and a female valved Dry-Shut coupler. The Drum pump adapter can be air operated to empty the drum and has a built in safety relief valve.

Drum Pump Adapter Assy CCI Part # DEF2010B

NX Plastic Drum Pumps



- | | |
|---------------|-------------|
| | CCI Part #s |
| NX20/25 5 gal | DEFNX20/25 |
| NX200 55 gal | DEFNX200 |



Fluid Monitoring And Accessories

Meters and Filters



CCI Part #
DEF40734

Suzzara Blue K24

- GPM 1.3 - 30
- PSI - 300
- Display - Yes



CCI Part #
DEF4200A

Suzzara Blue Turbinox

- Pulse Meter
- GPM 1.3 - 30
- PSI - 300
- Display - No



CCI Part #
DEF40721B

Suzzara Blue K24
Pulse Meter

- GPM 1.3 - 30
- PSI - 300
- Display - No



CCI Part #
DEFPCR2

LectroCount LCR-II

- Electronic temp compensation
- Ruggedness and reliability
- Compatibility with mobile computing solutions such as the DMS i1000



Total Control Systems

CCI Part #
DEF700SS

2" DEF Meter

- 12-100 GPM
- Register/Printer
- Air eliminator and Strainer



Total Control Systems

CCI Part #
DEF682SS

1 1/2" DEF Meter

- .2-50 GPM
- Register/Printer

MC Box

- 120/60 Volts/Hz
- 120 User capacity

CCI Part #
DEF13987



Metal Lock Box

- 23" x 12" x 24"
- 33 lbs

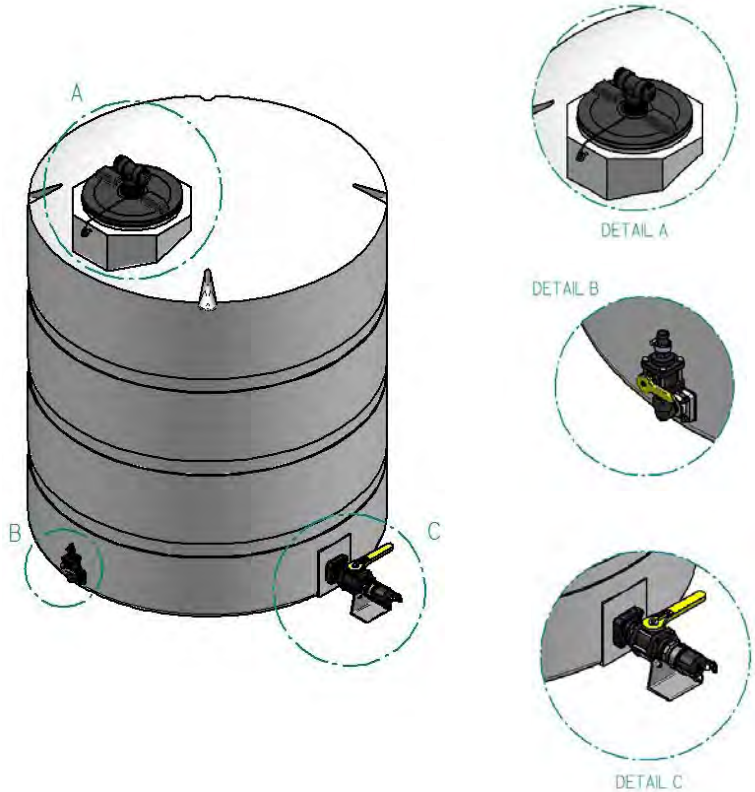
CCI Part #
DEF16118





DEF Storage Tanks

- DEF approved Polyethylene Storage Tanks
 - o 16" Sealed Manway Assembly – See Detail "A"
 - Dual Filtered Vents
 - o ¾" Supply/ Suction Assembly – See Detail "B"
 - ¾" Threaded Bulkhead Fitting- Mounted in tank sidewall
 - On/Off Valve
 - Siphon Tube-Allows for complete tank drainage
- Fitting Package Includes
 - o 2" Valved Fill Assembly – See Detail "C"
 - 2" Threaded Bulkhead Fitting-Mounted in tank sidewall
 - Full Port On/Off Valve
 - 2" Stainless Steel Male Kamvalok (OPW Style)
 - 2" Dust Cover
 - Aluminum Support Bracket
- Fittings installed and leak tested.

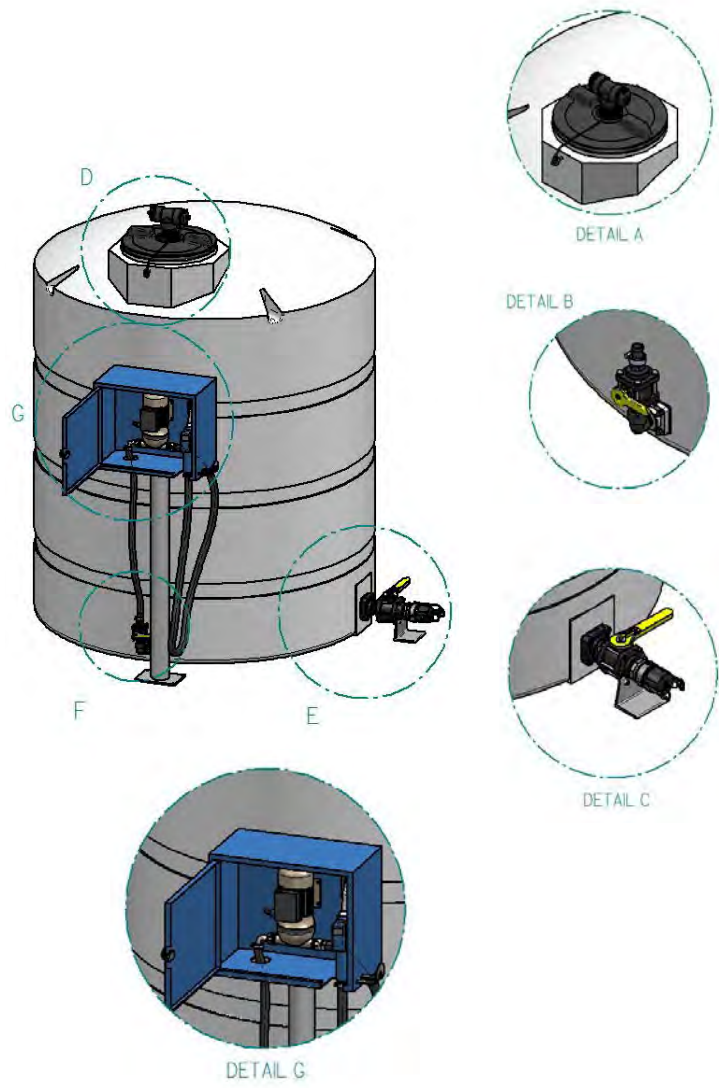


Size	Dimensions	Weight (empty)	Part #	Price
500	48" x 73"	130#	DEFT500ST	\$1,795.00
1,000	64" x 80"	200#	DEFT1000ST	\$2,395.00
2,100	87" x 89"	330#	DEFT2100ST	\$2,795.00
3,000	95" x 109"	475#	DEFT3000ST	\$2,995.00
6,500	120" x 150"	1371#	DEFT6500ST	CALL
7,800	119" x 176"	1631#	DEFT7800ST	CALL
10,500	144" x 165"	2081#	DEFT10500ST	CALL
20,000	165" x 242"	5000#	DEFT20000ST	CALL



DEF Dispensing & Storage Tanks

- DEF approved Polyethylene Storage Tanks
 - o 16" Sealed Manway Assembly – See Detail "A"
 - Dual Filtered Vents
 - o 3/4" Supply/ Suction Assembly – See Detail "B"
 - 3/4" Threaded Bulkhead Fitting- Mounted in tank sidewall
 - On/Off Valve
 - Siphon Tube-Allows for complete tank drainage
- Fitting Package Includes
 - o 2" Valved Fill Assembly – See Detail "C"
 - 2" Threaded Bulkhead Fitting-Mounted in tank sidewall
 - Full Port On/Off Valve
 - 2" Stainless Steel Male Kamvalok (OPW Style)
 - 2" Dust Cover
 - Aluminum Support Bracket
- Heavy Duty Self Priming DEF Membrane Pump
- 20' of dispensing hose, Industrial Grade Automatic Shutoff Nozzle with a built in LCD display flow meter
- All Welded Aluminum Mount Pump Stand – Optional Floor or Wall Mount
- Pump & Nozzle Stored in an Enclosed Lockable Metal Box
- Fittings installed and leak tested.



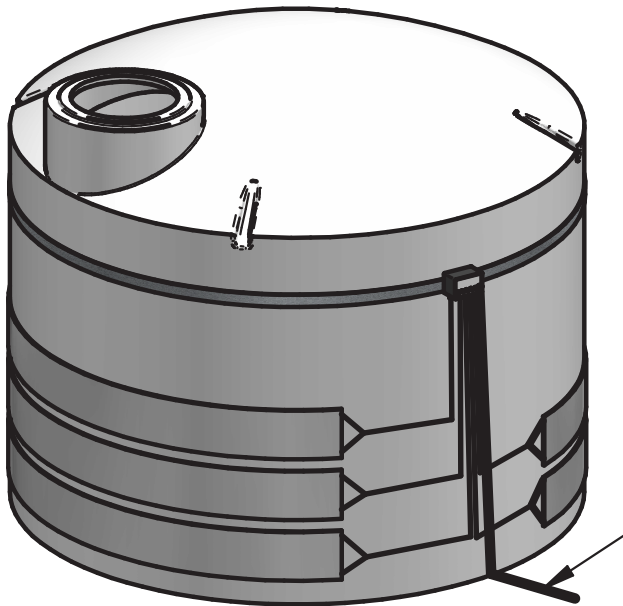
Size	Dimensions	Weight (empty)	Part #	Price
500	48" x 73"	200#	DEFT500DST	\$3,695.00
1,000	64" x 80"	270#	DEFT1000DST	\$3,995.00
2,100	87" x 89"	400#	DEFT2100DST	\$4,895.00
3,000	95" x 109"	545#	DEFT3000DST	\$5,195.00
6,500	120" x 150"	1441#	DEFT6500DST	CALL
7,800	119" x 176"	1701#	DEFT7800DST	CALL
10,500	144" x 165"	2151#	DEFT10500DST	CALL
20,000	165" x 242"	5000#	DEFT20000DST	CALL



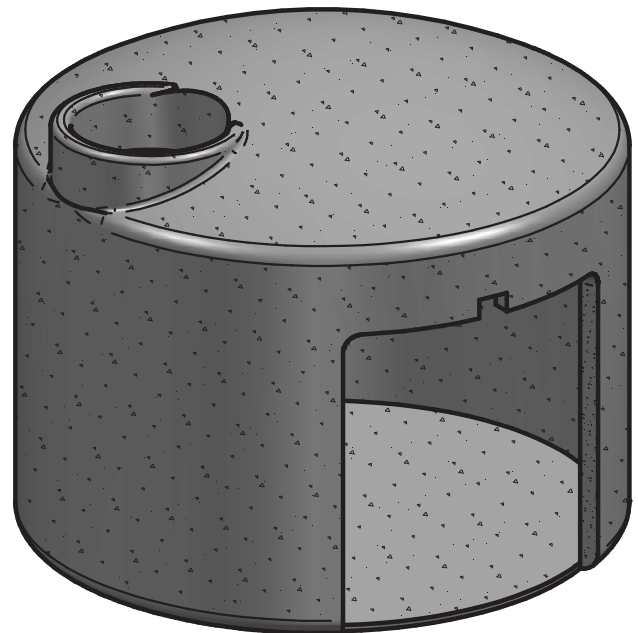
DEF Temp Controlled Storage

Keep your **DEF** at nominal temperatures this winter. Custom heat tracing panels can be installed to virtually any size tank. Latex mastic coating is applied to the external tank surface to achieve the correct "R" value.

TANK W/HEAT TRACING PANELS



CUT AWAY INSULATION VIEW



Size	Dimensions	Part #	Price
500	48" x 73"	DEFT500TCST	CALL
1,000	64" x 80"	DEFT1000TCST	CALL
2,100	87" x 89"	DEFT2100TCST	CALL
3,000	95" x 109"	DEFT3000TCST	CALL
6,500	120" x 150"	DEFT6500TCST	CALL
7,800	119" x 176"	DEFT7800TCST	CALL
10,500	144" x 165"	DEFT10500TCST	CALL
20,000	165" x 242"	DEFT20000TCST	CALL



Polypropylene Pipe



Nipple

Model:	Size:
BNIP038-SH	3/8" X Short
BNIP050-SH	1/2" X Short
BNIP050-3	1/2" X 3"
BNIP075-SH	3/4" X Short
BNIP075-4	3/4" X 4"
BNIP075-6	3/4" X 6"
BNIP100-SH	1" X Short
BNIP100-4	1" X 4"
BNIP100-6	1" X 6"
BNIP125-SH	1 1/4" X Short
BNIP125-4	1 1/4" X 4"
BNIP125-6	1 1/4" X 6"
BNIP150-SH	1 1/2" X Short
BNIP150-4	1 1/2" X 4"
BNIP150-6	1 1/2" X 6"
BNIP200-SH	2" X Short
BNIP200-4	2" X 4"
BNIP200-6	2" X 6"
BNIP300-SH	3" X Short
BNIP300-4	3" X 4"
BNIP300-6	3" X 6"
BNIP400-SH	4" X Short



Reducer Nipple

Model:	Size:
BRN050-038	1/2" X 3/8"
BRN075-050	3/4" X 1/2"
BRN100-050	1" X 1/2"
BRN100-075	1" X 3/4"
BRN125-075	1 1/4" X 3/4"
BRN125-100	1 1/4" X 1"
BRN150-100	1 1/2" X 1"
BRN150-125	1 1/2" X 1 1/4"
BRN200-125	2" X 1 1/4"
BRN200-150	2" X 1 1/2"
BRN300-200	3" X 2"



Hose Barbs - Straight

(Note: the first dimension is NPT thread and the second is the Hose Size.)

Model:	Size:
BHB025	1/4" X 1/4"
BHB025/038	1/4" X 3/8"
BHB038	3/8" X 3/8"
BHB038/050	3/8" X 1/2"
BHB050/038	1/2" X 3/8"
BHB050	1/2" X 1/2"
BHB050/075	1/2" X 3/4"
BHB075/038	3/4" X 3/8"
BHB075/050	3/4" X 1/2"
BHB075/058	3/4" X 5/8"
BHB075	3/4" X 3/4"
BHB075/100	3/4" X 1"
BHB100/075	1" X 3/4"
BHB100	1" X 1"
BHB100/125	1" X 1 1/4"
BHB125/075	1 1/4" X 3/4"
BHB125/100	1 1/4" X 1"
BHB125	1 1/4" X 1 1/4"
BHB125/150	1 1/4" X 1 1/2"
BHB150/100	1 1/2" X 1"
BHB150/125	1 1/2" X 1 1/4"
BHB150	1 1/2" X 1 1/2"
BHB150/200	1 1/2" X 2"
BHB200/150	2" X 1 1/2"
BHB200	2" X 2"
BHB300	3" X 3"
BHB400	4" X 4"



Cross

Model:	Size:
BCR075	3/4"
BCR100	1"
BCR125	1 1/4"
BCR150	1 1/2"
BCR200	2"



Coupling

Model:	Size:
BCPLG038	3/8"
BCPLG050	1/2"
BCPLG075	3/4"
BCPLG100	1"
BCPLG125	1 1/4"
BCPLG150	1 1/2"
BCPLG200	2"
BCPLG300	3"



Pipe Plug

Model:	Size:
BPLUG050	1/2"
BPLUG075	3/4"
BPLUG100	1"
BPLUG125	1 1/4"
BPLUG150	1 1/2"
BPLUG200	2"
BPLUG300	3"



Reducer Coupling

Model:	Size:
BRC100-075	1" X 3/4"
BRC150-100	1 1/2" X 1"
BRC150-125	1 1/2" X 1 1/4"
BRC200-100	2" X 1"
BRC200-125	2" X 1 1/4"
BRC200-150	2" X 1 1/2"
BRC300-200	3" X 2"



Polypropylene Pipe Fittings



Hose Barb - 90 Deg.

(Note: the first dimension is NPT thread and the second is the Hose Size.)

Model:	Size:
BHB-025-90	1/4" X 1/4"
BHB-038-90	3/8" X 3/8"
BHB-050/038-90	1/2" X 3/8"
BHB-050-90	1/2" X 1/2"
BHB-050/075-90	1/2" X 3/4"
BHB-075/050-90	3/4" X 1/2"
BHB-075-90	3/4" X 3/4"
BHB-075/100-90	3/4" X 1"
BHB-100/075-90	1" X 3/4"
BHB-100-90	1" X 1"
BHB-100/125-90	1" X 1 1/4"
BHB-125/100-90	1 1/4" X 1"
BHB-125-90	1 1/4" X 1 1/4"
BHB-150-90	1 1/2" X 1 1/2"
BHB-200-90	2" X 2"
BHB-300-90	3" X 3"



Street Elbow 90

Model:	Size:
BSL038-90	3/8"
BSL050-90	1/2"
BSL075-90	3/4"
BSL100-90	1"
BSL125-90	1 1/4"
BSL150-90	1 1/2"
BSL200-90	2"
BSL300-90	3"



Reducer Bushing

Model:	Size:
BRB038-025	3/8" X 1/4"
BRB050-025	1/2" X 1/4"
BRB050-038	1/2" X 3/8"
BRB075-018	3/4" X 1/8"
BRB075-025	3/4" X 1/4"
BRB075-038	3/4" X 3/8"
BRB075-050	3/4" X 1/2"
BRB100-018	1" X 1/8"
BRB100-025	1" X 1/4"
BRB100-050	1" X 1/2"
BRB100-075	1" X 3/4"
BRB125-075	1 1/4" X 3/4"
BRB125-100	1 1/4" X 1"
BRB150-075	1 1/2" X 3/4"
BRB150-100	1 1/2" X 1"
BRB150-125	1 1/2" X 1 1/4"
BRB200-075	2" X 3/4"
BRB200-100	2" X 1"
BRB200-125	2" X 1 1/4"
BRB200-150	2" X 1 1/2"
BRB300-200	3" X 2"



Hose Barb to Hose Barb

Model:	Size:
BHM050	1/2" X 1/2"
BHM075	3/4" X 3/4"
BHM100	1" X 1"
BHM125	1 1/4" X 1 1/4"
BHM150	1 1/2" X 1 1/2"
BHM200	2" X 2"
BHM300	3" X 3"



Pipe Tee

Model:	Size:
BTEE038	3/8"
BTEE050	1/2"
BTEE075	3/4"
BTEE100	1"
BTEE125	1 1/4"
BTEE150	1 1/2"
BTEE200	2"
BTEE300	3"



Pipe Elbow 90

Model:	Size:
BEL050-90	1/2"
BEL075-90	3/4"
BEL100-90	1"
BEL125-90	1 1/4"
BEL150-90	1 1/2"
BEL200-90	2"
BEL300-90	3"



Pipe Cap

Model:	Size:
BCAP075	3/4"
BCAP100	1"
BCAP150	1 1/2"
BCAP200	2"
BCAP300	3"



Hose Barb 90

Model:	Size:
BHBEL-100-90	1"



Banjo Manifold Fittings



Flange Clamps



Model:	Size:
BFC100	1" FP
BFC200	2" SP
BFC220	2" FP
BFC300	3" FP

Flange x 90 Hose Barb Elbow



Model:	Size:
BM100BRB90	1"
BM200BRB90	2" SP
BM220BRB90	2" FP
BM300BRB90	3"

Flange Gaskets



Model:	Size:
B100G	1"
B150G	2" SP
B200G	2" FP
B300G	3" FP

Flange x Hose Barb



Model:	Size:
BM100BRB	1"
BM200BRB	2" SP
BM220BRB	2" FP
BM300BRB	3"

Flanged Poly Check Valves



Model:	Size:
BMCV100	1"
BMCV200	2"
BMCV220	2" FP

Flanged Cross



Model:	Size:
BM100CR	1"
BM200CR	2" SP
BM220CR	2" FP
BM300CR	3"

Flange x Male NPT Thread



Model:	Size:
BM100MPT	1"
BM200MPT	2" SP
BM220MPT	2" FP
BM300MPT	3"

90 Deg Flanged Coupling



Model:	Size:
BM100CPG90	1"
BM200CPG90	2" SP
BM220CPG90	2" FP
BM300CPG90	3"

Flange x Female NPT Thread



Model:	Size:
BM100FPT	1"
BM200FPT	2" SP
BM220FPT	2" FP
BM300FPT	3"

2" Full Port Stubby Valve



Model:	Size:
BMVS220CF	2" FP

Flanged Tee



Model:	Size:
BM100TEE	1"
BM200TEE	2" SP
BM220TEE	2" FP
BM300TEE	3"

4 & 6 Bolt Valves



Model:	Size:
BMV100CF	1"
BMV200CF	2" SP
BMV220CF	2" FP
BMV300CF	3" FP

Flanged Couplings



Model:	Size:
BM100CPG	1"
BM200CPG	2" SP
BM220CPG	2" FP
BM300CPG	3"

45 Deg Flanged Coupling



Model:	Size:
BM100CPG45	1"
BM220CPG45	2" FP
BM300CPG45	3"

Line Strainers



Model:	Size:
BMLS200-12	2"
BMLS222-16	2" FP
BMLS300-12	3"

Flange x Male NPT Thread SS



Model:	Size:
BM220MPTSS	2" FP
BM300MPTSS	3"




Hose Couplers




Cam Action Couplers


Type "A" Female Pipe x Male Cam-Lock

	Model: Size:	Model: Size:
	B075A 3/4"	B200A 2"
	B100A 1"	B300A 3"
	B125A 1-1/4"	
	B150A 1-1/2"	


Type "B" Male Pipe x Female Cam-Lock

	Model: Size:	Model: Size:
	B075B 3/4"	B200B 2"
	B100B 1"	B300B 3"
	B125B 1-1/4"	
	B150B 1-1/2"	


Type "C" Hose x Female Cam-Lock

	Model: Size:	Model: Size:
	B075C 3/4"	B200C 2"
	B100C 1"	B300C 3"
	B125C 1-1/4"	
	B150C 1-1/2"	


Type "D" Female Pipe x Female Cam-Lock

	Model: Size:	Model: Size:
	B075D 3/4"	B150D 1-1/2"
	B100D 1"	B200D 2"
	B125D 1-1/4"	B300D 3"


Type "E" Hose x Male Cam-Lock

	Model: Size:	Model: Size:
	B075E 3/4"	B200E 2"
	B100E 1"	B300E 3"
	B125E 1-1/4"	
	B150E 1-1/2"	


Type "F" Male Pipe x Male Cam-Lock

	Model: Size:	Model: Size:
	B075F 3/4"	B200F 2"
	B100F 1"	B300F 3"
	B125F 1-1/4"	
	B150F 1-1/2"	


Type "PL" Male Cam-Lock Plug

	Model: Size:	Model: Size:
	B075PL 3/4"	B200PL 2"
	B100PL 1"	B300PL 3"
	B150PL 1-1/2"	


Type "CAP" Male Pipe x Male Cam-Lock

	Model: Size:	Model: Size:
	B075CAP 3/4"	B200CAP 2"
	B100CAP 1"	B300CAP 3"
	B150CAP 1-1/2"	


Type "90°A" Female Pipe x Male Cam-Lock

	Model:	Size:
	N150A90	1-1/2" 90° A Coupler
	N200A90	2" 90° A Coupler


Type "90°C" Hose x Female Cam-Lock

	Model:	Size:
	N150C90	1-1/2" 90° C Coupler
	N200C90	2" 90° C Coupler


Type "90°D" Female Pipe x Female Cam-L

	Model:	Size:
	N150D90	1-1/2" 90° D Coupler
	N200D90	2" 90° D Coupler

Type "90°F" Male Pipe x Male Cam-Lock

	Model:	Size:
	N150F90	1-1/2" 90° F Coupler
	N200F90	2" 90° F Coupler

Banjo Dry-Mate™ Dry Disconnects

	Model:	Size:
	BDM150A	1-1/2" Male Dry-Mate x FPT
	BDM150D	1-1/2" Female Dry-Mate x FPT
	BDM200A	2" Male Dry-Mate x FPT
	BDM200D	2" Female Dry-Mate x FPT



316 Stainless Steel Fittings



Nipple

Model:	Size:
F4001A	1/8" X CLS
F4000	3/8" X CLS
F4001	1/4" X CLS
F4002	1/4" X 2 1/2"
F4002A	1/4" X 3"
F4002B	1/4" X 4"
F4002C	1/4" X 6"
F4003	1/2" X CLS
F4003D	1/2" X 2"
F4003A	1/2" X 3"
F4003B	1/2" X 4"
F4003C	1/2" X 6"
F4004	3/4" X CLS
F4004A	3/4" X 2"
F4004B	3/4" X 3"
F4004C	3/4" X 4"
F4004D	3/4" X 6"
F4004H	3/4" X 10"
F4004I	3/4" X 16"
F4005	1" X CLS
F4005A	1" X 2"
F4006B	1" X 3"
F4006	1" X 4"
F4006C	1" X 6"
F4006D	1" X 8"
F4006G	1" X 10"
F4006E	1" X 11"
F4006A	1" X 12"
F4007	1 1/4" X CLS
F4007A	1 1/4" X 2"
F4007B	1 1/4" X 3"
F4007C	1 1/4" X 4"
F4007D	1 1/4" X 6"
F4007E	1 1/4" X 8"
F4007F	1 1/4" X 10"
F4009	1 1/2" X CLS
F4010	1 1/2" X 2"
F4009A	1 1/2" X 2 1/2"
F4010C	1 1/2" X 4"
F4011	2" X CLS
F4011A	2" X 4"
F4011B	2" X 6"
F4011C	2" X 8"
F4011D	2" X 10"
F4011H	2" X 24"
F4012	3" X CLS
F4012C	3" X 6"



King Nipple

Model:	Size:
F4014	1/4"
F4014A	3/8"
F4015	1/2"
F4016	3/4"
F4017	1"
F4018	1 1/4"
F4019	1 1/2"
F4020	2"
F4022	3"



Coupling

Model:	Size:
F4022D	1/8"
F4023A	1/4"
F4023	3/8"
F4025	1/2"
F4026	3/4"
F4027	1"
F4028	1 1/4"
F4029	1 1/2"
F4030	2"
F4032	3"
F4032B	4"



Street Elbow

Model:	Size:
F4060	1/4"
F4060A	3/8"
F4061	1/2"
F4062	3/4"
F4063	1"
F4064	1 1/4"
F4065	1 1/2"
F4066	2"
F4068	3"



Tees

Model:	Size:
F4050	1/4"
F4050A	3/8"
F4051	1/2"
F4052	3/4"
F4053	1"
F4054	1 1/4"
F4055	1 1/2"
F4056	2"
F4056A	3"



90 Deg. Elbow

Model:	Size:
F4033A	1/8"
F4033	1/4"
F4034	3/8"
F4035	1/2"
F4036	3/4"
F4037	1"
F4038	1 1/4"
F4039	1 1/2"
F4040	2"
F4040B	3"



Plug

Model:	Size:
F4089	1/8"
F4090	1/4"
F4090A	3/8"
F4091	1/2"
F4092	3/4"
F4093	1"
F4094	1 1/4"
F4095	1 1/2"
F4096	2"
F4096A	3"



316 Stainless & Micro Matic RSV



Reducer Bushing

Model:	Size:
F4073	1/4" X 1/8"
F4075	3/8" X 1/8"
F4072	3/8" X 1/4"
F4074	1/2" X 1/8"
F4071	1/4" X 1/2"
F4070	1/2" X 3/8"
F4077	3/4" X 1/4"
F4075A	3/4" X 3/8"
F4076	3/4" X 1/2"
F4079A	1" X 1 1/4"
F4079B	1" X 3/8"
F4080	1" X 1/2"
F4078	1" X 3/4"
F4079	1 1/4" X 3/4"
F4080A	1 1/4" X 1"
F4082C	1 1/2" X 1/4"
F4082B	1 1/2" X 3/4"
F4082	1 1/2" X 1"
F4083	1 1/2" X 1"
F4081A	2" X 1/2"
F4081	2" X 3/4"
F4085	2" X 1"
F4084A	2" X 1 1/4"
F4084	2" X 1 1/2"
F4086	3" X 2"



45 Deg. Elbow

Model:	Size:
F4041A	1/4"
F4041	1/2"
F4042	3/4"
F4043	1"
F4044	1 1/4"
F4045	1 1/2"
F4046	2"
F4022	3"



Cross

Model:	Size:
F4058	1/4"
F4058A	1/2"
F4059A	3/4"
F4059	1"
F4059C	1 1/2"
F4057	2"



Union

Model:	Size:
F4099D	3/4"
F5000	1"
F4099A	1 1/4"
F5001	1 1/2"
F4099	2"



Cap

Model:	Size:
F4097A	1/2"
F4097	3/4"
F4097B	1"
F4097C	1 1/4"
F4097D	1 1/2"
F4098	2"

Micro Matic DEF-RSV



CCI Part # DEF1536A
RSV Fill Coupler
RSV (Reusable Stainless Valve) 4 Pin Vapor Recovery Fill Coupler used to create a closed loop DEF filling/refilling environment.



CCI Part # DEF743096
2.5" x 5 Buttress - Viton Seal DEF - RSV (Reusable Stainless Valve), 4 Cam

CCI Part # DEF743016
2" BSP - Viton Seals
DEF - RSV (Reusable Stainless Valve), 4 Cam



CCI Part # DEF744026
RSV Dispense Couplers
Connects to RSV Container Valve to extract liquid from container.



Poly Tanks

Polyethylene Storage Tanks

Vertical Storage Tank



- 100% Virgin Polyethylene
- FDA approved for potable water storage
- Molded in gallon indicators on sides

Available in sizes up to 20,000 Gallons.

Model:	Gal.	Dia.	Height	Lid
T1048N	300	36"	79"	16"
T1052N	305	46"	50"	16"
T1056R	330	47"	48"	16"
T1058A	425	42"	75"	8"
T1060N	500	48"	73"	16"
T1060AA	505	46"	80"	16"
T1068N	550	67"	44"	16"
T1070A	625	64"	50"	8"
T1071D	650	56"	68"	16"
T1072N	750	48"	103"	16"
T1076N	850	48"	118"	16"
T1076A	850	54"	92"	8"
T1086A	900	46"	132"	16"
T1088N	1000	64"	80"	16"
T1096N	1100	87"	53"	16"
T1100R	1200	86"	53"	16"
T1100A	1200	64"	94"	16"
T1104N	1500	64"	116"	16"
T1108N	1550	87"	67"	16"
T1112R	1700	86"	72"	16"
T1116A	2000	90"	84"	16"
T1116AA	2000	64"	165"	16"
T1120O	2025	64"	153"	16"
T1124N	2100	87"	89"	16"
T1125A	2150	102"	71"	16"
T1128N	2500	95"	91"	16"
T1128A	2500	90"	100"	16"
T1132N	3000	95"	109"	16"
T1136N	4000	102"	125"	16"
T1136A	4000	96"	140"	16"
T1138N	4200	102"	131"	16"
T1140N	5000	102"	152"	16"
T1148N	6000	102"	182"	16"
T1152N	6100	120"	139"	16"
T1156N		6500	120"	150"
T1156O	6500	102"	196"	16"
T1158N	7800	119"	176"	16"
T1159N	8400	119"	188"	16"
T1160N	9000	141"	144"	16"
T1164N	10000	141"	159"	16"
T1165N	10500	144"	165"	22"
T1168N	12500	144"	194"	22"
T1170N	15000	144"	244"	16"
T1170NW	15000	165"	186"	16"
T1175N	20000	165"	242"	16"

16"

Elliptical Leg Tanks



This elliptical leg tank style is designed to provide the greatest capacity with the lowest center of gravity, making it the best design for transporting larger volumes. Elliptical tanks feature molded-in legs that act as "baffles" to reduce sloshing and provide increased stability during transport.

Model:	Gal.	W.	L.	H.	Lid	Band
T3130N	335	48"	71"	33"	16"	2
T3140A	510	57"	80"	39"	16"	2
T3140N	535	57"	80"	39"	16"	2
T3144N	1035	79"	89"	53"	16"	3
T3152N	1635	71"	142"	57"	16"	4
T3156N	2035	84"	142"	55"	16"	4
T3160N	2635	90"	140"	71"	16"	4
T3164N	3135	88"	151"	76"	16"	4
T3168N	4035	92"	192"	77"	16"	4

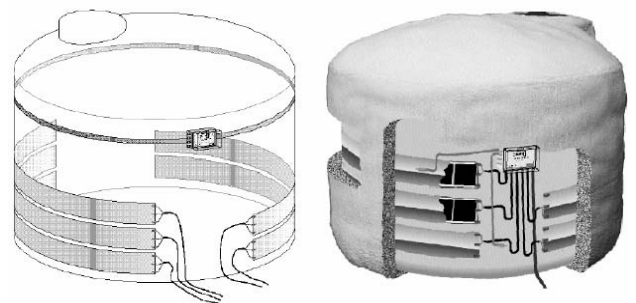
See Page 12 for Bands

Elliptical Tanks



Model:	Gal.	W.	L.	H.	Lid
T8008N	200	40"	66"	30"	8"
T8012N	300	48"	70"	32"	8"
T8016N	500	57"	82"	38"	16"
T8020N	750	69"	88"	44"	16"
T8024N	1000	78"	90"	51"	16"
T8025N	1600	78"	138"	49"	16"
T8026N	2550	88"	142"	69"	16"

Heat Trace Panels



Keep your DEF at nominal temperature this winter. Custom heat tracing panels can be installed to virtually any size tanks. Latex mastic coating is applied to the external tank surface to achieve the correct "R" value. Call Today for pricing and availability.



Poly Tanks



Horizontal Leg Tanks

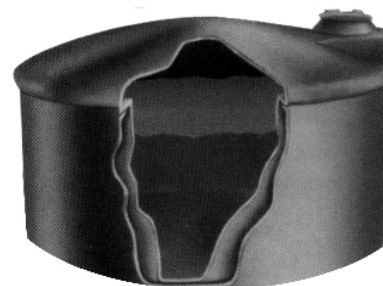
Used primarily for transport and nursing applications, leg tanks feature molded-in legs that act as "baffles" to reduce sloshing.

See Page 12 for Bands

Model:	Gal.	Dia.	Length	Lid	Band
T3004N	35	20"	29"	5"	2
T3004A	35	18"	34"	5"	2
T3008N	65	23"	43"	5"	2
T3008A	65	24"	39"	5"	2
T3012N	125	32"	41"	8"	2
T3012A	125	32"	40"	8"	3
T3002A	165	32"	54"	8"	3
T3016N	225	38"	49"	8"	2
T3016A	225	38"	52"	8"	3
T3020N	325	38"	68"	16"	2
T3022A	335	44"	56"	16"	3
T3021N	425	49"	60"	16"	2
T3024N	525	49"	71"	16"	2
T3025A	535	48"	78"	16"	3
T3028N	725	49"	101"	16"	3
T3029A	735	48"	103"	16"	3
T3032N	1025	49"	139"	16"	4
T3033A	1065	58"	106"	16"	3
T3033N	1325	66"	99"	16"	4
T3036N	1625	63"	134"	16"	4
T3037N	5025	92"	190"	16"	5

Heavy walled tanks designed to withstand rugged service. Open top for convenient mixing and filling, self supporting, translucent-visible content level, FDA approved material. Optional steel stands with corrosion resistant coating, or stainless steel, constructed stands are available.

Double Wall Storage Tanks



Model:	Gal.	Dia.	Height	Lid
T7004RDBL	18	21"	21"	8"
T7008RDBL	35	21"	34"	8"
T7012RDBL	65	26"	35"	8"
T7016PDBL	105	36"	42"	5"
T7020RDBL	120	32"	44"	8"
T7024PDBL	160	36"	59"	5"
T7030PDBL	540	77"	48"	10"
T7034PDBL	1000	77"	79"	19"
T7040PDBL	1550	96"	84"	19"
T7046PDBL	2500	96"	119"	16"
T7050PDBL	3150	122"	92"	24"
T7060PDBL	4400	122"	118"	24"
T7066PDBL	5400	143"	117"	24"
T7080PDBL	8700	143"	174"	24"

Specialty Tanks



Model:	Type	Gal.	Len.	Wid.	Ht.	Lid
T9680A	Dock Float		48"	24"	12"	
T9687N	Free Stand	300	48"	29"	62"	16"
T9689A	Free Stand	250	62"	29"	42"	16"
T9690A	Free Stand	400	62"	29"	66"	16"
T9890N	Low Profile	1250	130"	81"	38"	16"
T9891N	Low Profile	1500	130"	81"	44"	16"
T9700N	Horiz. Box	2400	150"	90"	53"	16"
T5174A	Total Drain	35	28"	19"	20"	5"
T5198A	Total Drain	56	38"	20"	26"	5"



Our below ground cisterns feature the same rugged, ribbed design found in our septic tanks. Cisterns are ideal for instances when drinking water must be hauled in, or when a well just doesn't meet consumption needs. Bulkhead fittings are available in full range of sizes to help adapt the cistern to suit specific needs or applications.

Model:	Gal.	Len.	Wid.	Ht.	Lid
T6046N	325	Sphere	54"	51"	20"
T6048N	600	101"	51"	42"	20"
T6052N	1200	102"	60"	58"	20"
T6058N	1700	135"	55"	66"	20"
T6059N	2500	158"	98"	53"	20"



Containment, Bases, & Bands

The fluid containment basin is designed around the need for environmental protection and to meet federal and state requirements for the storage of chemicals.

Polyethylene Containment Basins



Model:	Gal.	Len.	Wid.	Dia.	Ht.
T6082D	90			44"	
T6084A	110	55"	31"		25"
T6088D	110	72"	36"		12"
T6090A	150	75"	31"		25"
T6092D	175	48"	48"		18"
T6096D	240	48"	65"		18"
T6103AG	320			72"	24"
T6104D	350	68"	68"		18"
T6108D	400			78"	23"
T6112D	450			70"	30"
T6091A	610	96"	24"		
T6116C	675			66"	46"
T6117C	675			82"	30"
T6124D	690	106"	58"		26"
T6125P	700			96"	72"
T6128A	1150	73"	73"		66"
T6128CB	950			86"	38"
T6139A	1200			86"	56"
T6140A	1650	84"	84"		60"
T6164NG	2000			139"	36"
T6168CB	2075	96"	96"		62"
T6169A	2200			90"	83"
T6170N	2800			102"	104"
T6172P	3350			144"	50"
T6176T	3500	218"	108"		40"
T6161A	2075	96"	96"		62"

Horizontal Tank Bases

Model:	Tank	Len.	Wid.
ST6080	35		
ST6085	65		
ST6090	125		
ST6095	225		
ST6100	325	64"	42.75"
ST6110	525	67"	53.75"
ST6120	725	96"	53.25"
ST6140	1035E	83"	83.75"
ST6200	1025	133"	53.75"
ST6233	1325	99"	66"
ST6241	2035E	142"	84"
ST6250	2635E	140"	92"

Part # T9670CCS



275 Gallon UN Transparent Tanks (Reconditioned)
 6" Top Lid
 2" Bottom Valve
 Polyethylene Bottle
 Galvanized Steel Cage
 40"W x 48"D x 45"H
 Call for Pricing



Pickup Truck Tanks

Model:	Gal.	Dia.	Ht.	Lid
T0904N	210	60"/51"	28"	8"
T0908N	325	62"	32"	8"
T6036N	425	65"	37"	8"

Horizontal Tank Bands

Model:	Tank	Req.	Wid.	Ht.
ST6010	35	2	19"	19"
ST6020	65	2	22.25"	22.25"
ST6030	125	2	31.25"	31.25"
ST6040	225	2	36.75"	36.75"
ST6040	325	2	36.75"	36.75"
ST6210	425	2	47.50"	47.50"
ST6210	525	2	47.50"	47.50"
ST6010	725	3	47.50"	47.50"
ST6130	1035E	3	77"	48"
ST6210	1025	4	47.50"	47.50"
ST6222	1325	3	64"	65"
ST6300	1625	4	60.75"	60.75"
ST6260	1635E	4	68"	51"
ST6303	2035E	4	82"	49"
ST6301	2635E	4	87.50"	65.25"
ST6301A	3135E	4	85.50"	74"
ST6301B	4035E	4	89"	75"
ST6301C	5025	5	89.50"	90"

Elliptical Tank Skids

Model:	Size	Base	Dim	# Bands
ST6603	200	24"	57"	2
ST6605	300	34"	54"	2
ST6610	500	34"	68"	3
ST6615	750	38"	78"	3
ST6620	1000	46"	72"	3

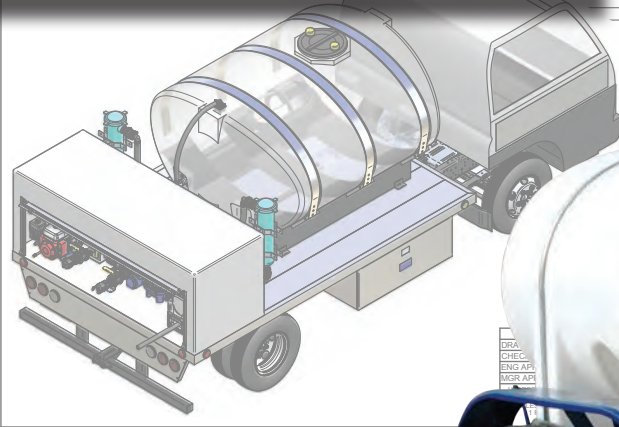


DEF Storage/Fill Skids



- 1,035 gallon polyethelene elliptical leg tank
- 110 volt DEF Shur-flo pump
- Spring rewind hose reel with 25' of delivery hose
- Stainless steel automatic shut-off nozzle
- MC fluid monitoring box
Allows the control & monitoring of DEF for multiple users
- All welded aluminum skid w/enclosure for pump
- Options:
Available in numerous tank sizes
Weights & measure meter available

REVISION	DESCRIPTION





1,100 Gallon DEF Supply Tank

- Self priming DEF membrane pump
- 25' of delivery hose with SS auto shutoff nozzle
- 1,100 gallon polyethylene vertical storage tank
- Dual pressure/vacuum tank vent system
- All welded aluminum pump mount w/hose rack
- RSV MicroMatic fitting for tank fill

Options include

- tank sizes
- Pumps (12-volt, Air operated, Gas powered, 110 volt)



DEF Skid Option



6000 Gallon DEF Supply Trailer

- Dual 3000 gallon poly cone bottom tanks for complete drain
- High output gas powered self priming centrifugal DEF pump
- All welded heavy duty steel trailer
- Dual pressure/vacuum tank vent system
- 25' of delivery hose with a stainless steel auto shutoff nozzle
- Trailer must be lowered to rest the frame on ground when holding material, and lifted back into the traveling position using the hydraulic hand crank cylinder.



Size Really Does Matter! If You Want the Best Service and Value.

We have over 64,000 square feet of manufacturing & warehouse space with 16 acres of facilities and bulk tank inventory. This allows us to fill your order and ship the same day.



- Custom CAD design for spray equipment and liquid handling systems.
- Specialty welding of stainless steel, aluminum, and polyethylene.
- Complete Service, Repairs, & Maintenance.



- You want it, we've got it! With over 15,000 stock items, your order is ready to ship today.
- Emergency! Same day delivery available.
- 6 Mobile sales people provide you with on-site service for your company's needs.



**“Specialists In Liquid Handling
Products & Equipment”**

**413 ABC Rd. • Lake Wales, Fl. 33853
Sales 800-346-7867 • Fax 863-638-1863**

www.chemicalcontainers.com